

UNIVERSAL VALVE OPERATOR (UVO) KIT

DESCRIPTION

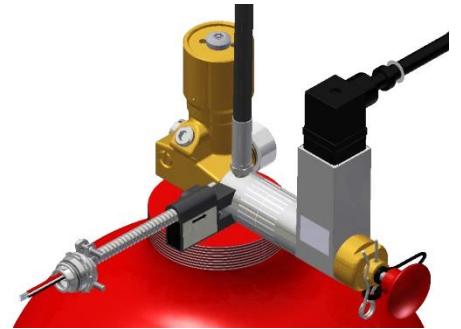
The Universal Valve Operator (UVO) provides means to electrically or manually activate the Fike ProInert Valve inert gas cylinder by providing the force required to extend a piston that will open the valve, allowing the agent to be released from the cylinder.

The UVO can be activated electrically via a signal from a control panel or manually by depressing red manual strike button.

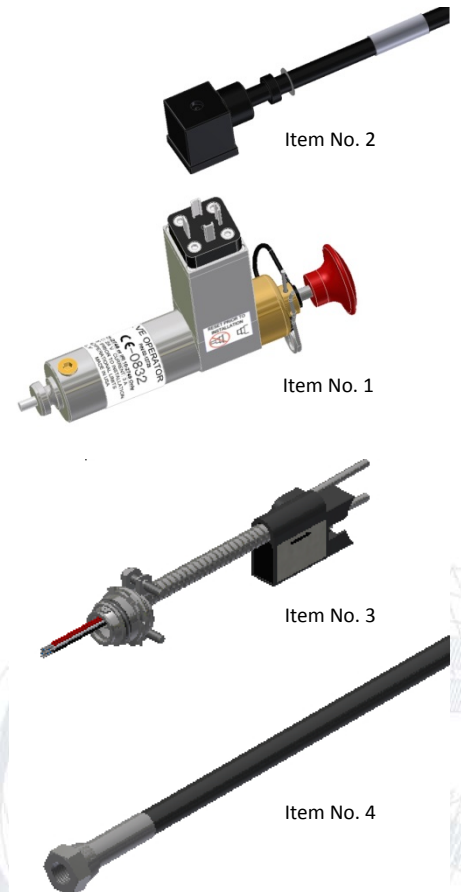
The Universal Valve Operator Supervisor (UVOS) is used to monitor the presence of the UVO. When installed between the valve and the UVO, this supervises the position of the actuation device; when the UVO is removed from the container this will cause a “supervisory event” at the system control panel.

FEATURES AND BENEFITS

- Provides mean to operate up to 60 cylinders with one UVO
- Can be reset without replacement parts or special tools
- Simple to remove for easy of testing
- Provides supervision of UVO placement required by NFPA 2001



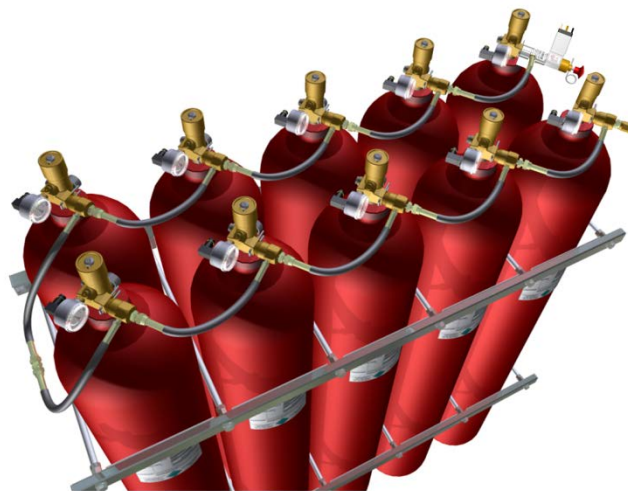
P/N 70-315		UNIVERSAL VALVE OPERATOR (UVO) KIT
NOTE: The following items are furnished with the UVO Kit:		
Item No.	Part Number	Description
1	02-13571	Universal Valve Operator (UVO)
2	02-13280	DIN Connector w/ Wire Lead (5' lg.)
3	02-14627	Universal Valve Operator Supervisor(UVOS)
4	02-13713	Actuation Hose
5	70-312	Reset Tool
6	02-2213	Security Tie
Temperature Range		-4°F to 120°F (-20°C to 48.9°C)
Listings & Approvals		UL / ULC Listed & FM Approved
SPECIFICATIONS – UNIVERSAL VALVE OPERATOR (UVO) (p/n 02-13571)		
Normal Supply Voltage	24 VDC	
Current Consumption (for Battery Calculation)	Alarm max. 912 mA / Supervision max. 33.4 mA – SHP Pro Alarm max. 930 mA / Supervision max. 25.4 mA – Cheetah Xi & Xi 50	
Electrical Connection	DIN Connector w/ Cable & ½” NPT for conduit connection	
UVO Material	Stainless Steel (Body) / Brass (End Cap)	
SPECIFICATIONS – UNIVERSAL VAVLE OPERATOR SUPERVISOR (UVOS)(p/n 02-14627)		
Switch	Normally Closed (Black) / Normally Open Contacts (White) / Common (Red)	
Conduit	0.25”ID SST Flexible Conduit 50” lg. with 1/2” Knockout Connector	
Wire Leads	22 AWG, 60” lg.	



TYPICAL ACTUATION SYSTEM ARRANGEMENT



SINGLE ROW INSTALLATION



DOUBLE / MULTIPLE ROW INSTALLATION

For more information refer to the following FIKE manuals:

- ProInert IG-55 ED&S Manual (p/n 06-625)
- ProInert IG-541 ED&S Manual (p/n 06-801)

This document is only intended to be a guideline and is not applicable to all situations. Because of the many and varied circumstances and extreme conditions under which Fike's products are used, and because Fike has no control over this actual use, Fike makes no warranties based on the contents of this document. FIKE MAKES NO IMPLIED WARRANTIES OR MERCHANTABILITY OR FITNESS FOR A SPECIFIC PURPOSE. You should not act on any information, products or services described herein before you have formed your own opinion through investigation and research as to the suitability of the information, products or services for your specific application and circumstances.

Fike has used reasonable care in preparing the information included in this document, but Fike does not warrant that such information is error free. Fike assumes no liability whatsoever for any damages incurred resulting from errors in or omissions from the information included herein.

Fike reserves the right to change product designs or specifications without obligation and without further notice in accordance with our policy of continuing product and system improvement.